

MDSTB 2,5/18-G1-5,08

Order No.: 1762525

The figure shows a 10-position version of the product

<http://eshop.phoenixcontact.de/phoenix/treeViewClick.do?UID=1762525>Header, nominal current: 10 A, rated voltage: 250 V, pitch: 5.08 mm,
no. of positions: 18, mounting: Soldering

Commercial data

| | |
|--------------------------|--------------------|
| EAN | 4017918031121 |
| Pack | 50 Pcs. |
| Customs tariff | 85366990 |
| Weight/Piece | 0.03156 KG |
| Catalog page information | Page 175 (CC-2005) |

Product notes

WEEE/RoHS-compliant since:
01/01/2003

<http://www.download.phoenixcontact.com>
Please note that the data given here has been taken from the online catalog. For comprehensive information and data, please refer to the user documentation. The General Terms and Conditions of Use apply to Internet downloads.

Technical data

Dimensions / positions

| | |
|---------------------|----------|
| Pitch | 5.08 mm |
| Dimension a | 86.36 mm |
| Number of positions | 18 |
| Pin dimensions | 1 x 1 mm |
| Hole diameter | 1.4 mm |

Technical data

| | |
|------------------------------------|--------|
| Insulating material group | I |
| Rated surge voltage (III/3) | 4 kV |
| Rated surge voltage (III/2) | 4 kV |
| Rated surge voltage (II/2) | 4 kV |
| Rated voltage (III/2) | 320 V |
| Rated voltage (II/2) | 630 V |
| Connection in acc. with standard | EN-VDE |
| Nominal current I_N | 10 A |
| Nominal voltage U_N | 250 V |
| Maximum load current | 10 A |
| Insulating material | PA |
| Inflammability class acc. to UL 94 | V0 |

Certificates / Approvals



CSA

| | |
|-----------------------|-------|
| Nominal voltage U_N | 300 V |
| Nominal current I_N | 10 A |

CUL

| | |
|-----------------------|-------|
| Nominal voltage U_N | 300 V |
| Nominal current I_N | 10 A |

UL

| | |
|-----------------------|---------------------------------|
| Nominal voltage U_N | 300 V |
| Nominal current I_N | 10 A |
| Certification | CB, CSA, CUL, GOST, UL, VDE-PZI |

Accessories

| Item | Designation | Description |
|------|-------------|-------------|
|------|-------------|-------------|

Assembly

| | | |
|---------|---------|--|
| 1755477 | MSTB-BL | Keying cap, for forming sections, plugs onto header pin, green insulating material |
|---------|---------|--|

Marking

| | | |
|---------|--------------------------|---|
| 0804293 | SK 5,08/3,8:FORTL.ZAHLEN | Marker card, printed horizontally, self-adhesive, 12 identical decades marked 1-10, 11-20 etc. up to 91-(99)100, sufficient for 120 terminal blocks |
|---------|--------------------------|---|

Plug/Adapter

| | | |
|---------|---------|--|
| 1734401 | CR-MSTB | Coding section, inserted into the recess in the header or the inverted plug, red insulating material |
|---------|---------|--|

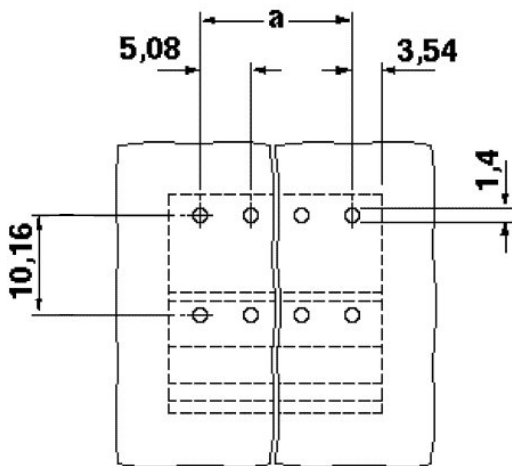
Additional products

| Item | Designation | Description |
|----------------|---------------------------|---|
| General | | |
| 1875917 | FKC 2,5/18-ST-5,08 | Plug component, nominal current: 12 A, rated voltage: 250 V, pitch: 5.08 mm, no. of positions: 18, type of connection: Spring-cage connection |
| 1902275 | FKCT 2,5/18-ST-5,08 | Plug component, nominal current: 12 A, rated voltage: 250 V, pitch: 5.08 mm, no. of positions: 18, type of connection: Spring-cage connection |
| 1777442 | FRONT-MSTB 2,5/18-ST-5,08 | Plug component, nominal current: 12 A, rated voltage: 250 V, pitch: 5.08 mm, no. of positions: 18, type of connection: Screw connection |
| 1786569 | IC 2,5/18-G-5,08 | Header, nominal current: 12 A, rated voltage: 320 V, pitch: 5.08 mm, number of positions: 18, mounting type: soldering |
| 1786103 | ICV 2,5/18-G-5,08 | Header, nominal current: 12 A, rated voltage: 320 V, pitch: 5.08 mm, number of positions: 18, mounting type: soldering |
| 1757174 | MSTB 2,5/18-ST-5,08 | Plug component, nominal current: 12 A, rated voltage: 250 V, pitch: 5.08 mm, no. of positions: 18, type of connection: Screw connection |
| 1808971 | MSTBC 2,5/18-ST-5,08 | Plug component, nominal current: 12 A, rated voltage: 320 V, pitch: 5.08 mm, no. of positions: 18, type of connection: Crimp connection |
| 1809666 | MSTBC 2,5/18-STZ-5,08 | Plug component, nominal current: 12 A, rated voltage: 320 V, pitch: 5.08 mm, no. of positions: 18, type of connection: Crimp connection |
| 1769175 | MSTBP 2,5/18-ST-5,08 | Plug component, nominal current: 12 A, rated voltage: 250 V, pitch: 5.08 mm, no. of positions: 18, type of connection: Screw connection |
| 1792401 | MVSTBR 2,5/18-ST-5,08 | Plug component, nominal current: 12 A, rated voltage: 250 V, pitch: 5.08 mm, no. of positions: 18, type of connection: Screw connection |
| 1792919 | MVSTBW 2,5/18-ST-5,08 | Plug component, nominal current: 12 A, rated voltage: 250 V, pitch: 5.08 mm, no. of positions: 18, type of connection: Screw connection |

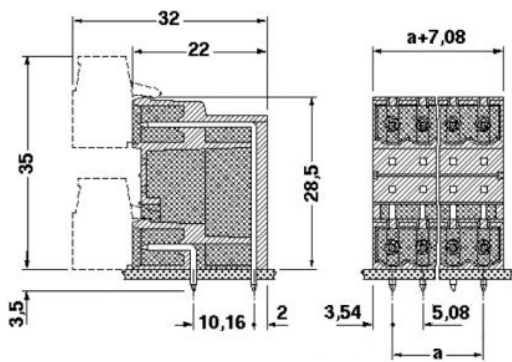
| | | |
|---------|----------------------|---|
| 1918078 | QC 0,75/18-ST-5,08 | Plug components, 5.08 mm pitch, color: green, no. of positions 18, dimension a 86.36 mm |
| 1850576 | SMSTB 2,5/18-ST-5,08 | Plug component, nominal current: 12 A, rated voltage: 250 V, pitch: 5.08 mm, no. of positions: 18, type of connection: Screw connection |

Drawings

Drilling diagram



Dimensioned drawing



Address

PHOENIX CONTACT Inc., USA
586 Fulling Mill Road
Middletown, PA 17057, USA
Phone (800) 888-7388
Fax (717) 944-1625
<http://www.phoenixcon.com>



© 2008 Phoenix Contact
Technical modifications reserved;